



INFINITI.

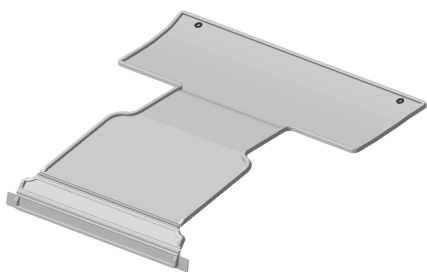
# GENUINE PARTS

## INSTALLATION INSTRUCTIONS

**DESCRIPTION:** Center Console Floor Mat  
**APPLICATION:** QX80  
**PART NUMBER:** 999E2 3XCC0, 999E2 3XCC1, 999E2 3XCC2, 999E2 3XCC3

### KIT CONTENTS:

Item	Qty.	Part Description
A	1	Center Console Floor Mat
B	1	Installation Instruction Replacement Template



A



B

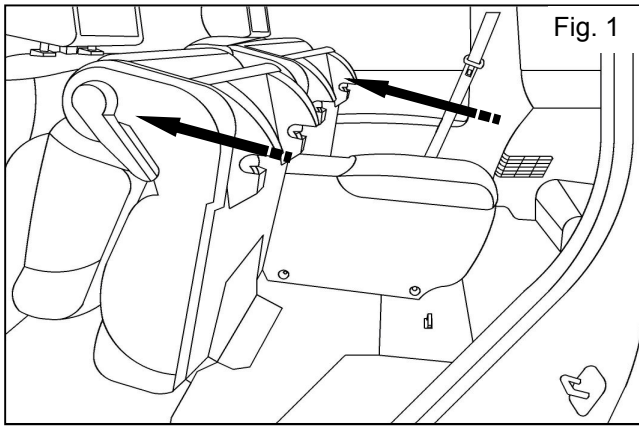
### TOOLS REQUIRED:

- T20 Torx Wrench
- 10mm Socket Wrench
- 3" Socket Extension
- Utility Knife

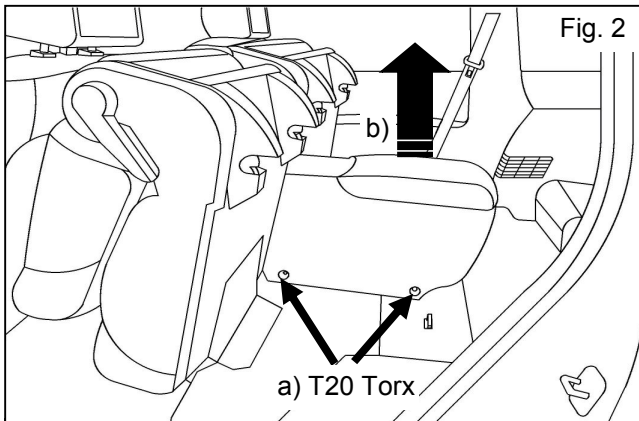
### PRE-INSTALLATION WARNINGS, CAUTIONS, CRITICAL STEPS, and NOTES:

- Mats must be installed on hooks where hooks are available.
- Keep this installation instruction sheet with Vehicle Owner's Manual for reference.

## INSTALLATION PROCEDURE:



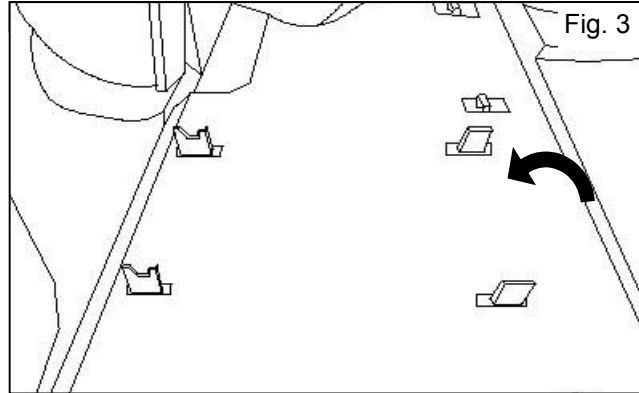
1) Tumble 2nd row seats forward.



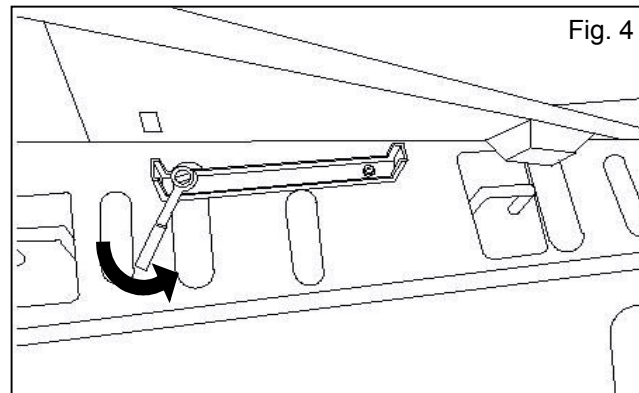
2) Remove center console unit

a) Remove (2) screws from each side of console unit. **T20 Torx Wrench**

b) Lift up and remove console



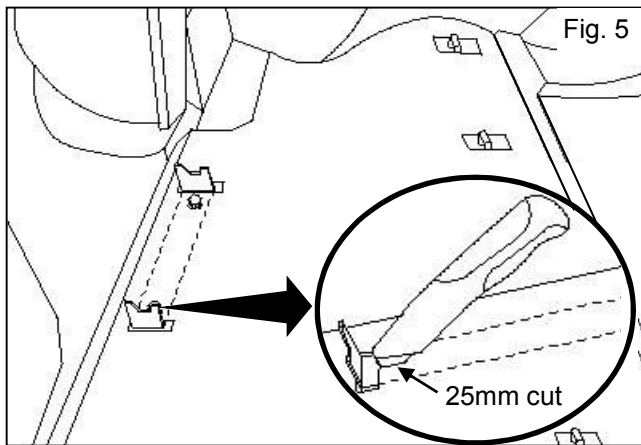
3) Lift floor carpet along seam to access rear bracket.



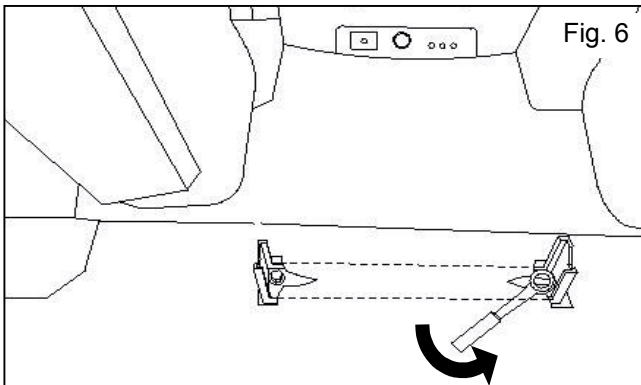
4) Remove (2) bolts using **10mm Socket Wrench** and remove the rear bracket.

**CAUTION: Bracket has sharp edges.**

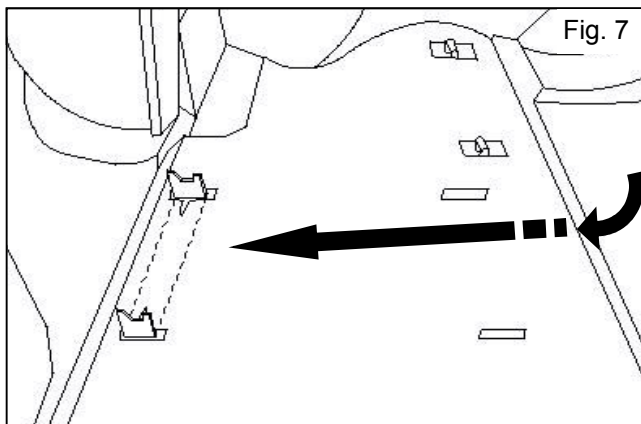
**INSTALLATION PROCEDURE (Continued):**



- 5) Using a **Utility Knife**, cut a 25mm (1") slit and pull back carpet to access bolts.

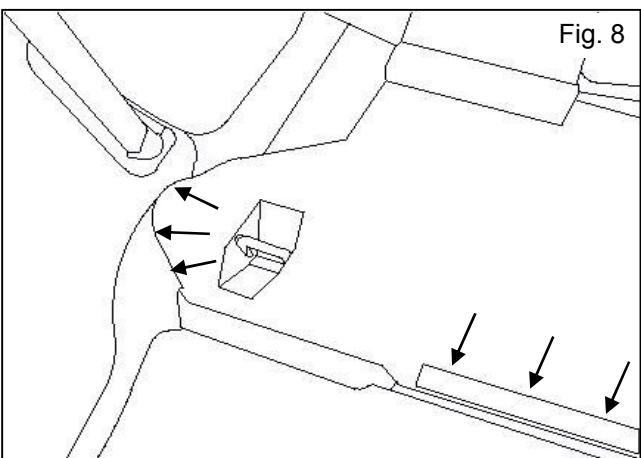


- 6) Using the **10mm Socket Wrench**, remove the (2) bracket bolts.



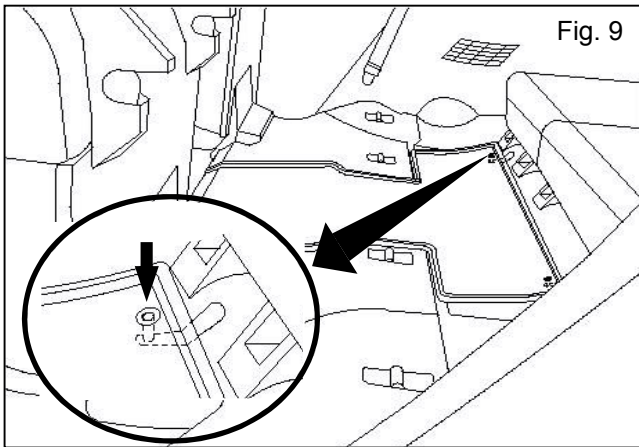
- 7) Reach in from carpet seam and remove bracket.

**CAUTION: Bracket has sharp edges.**

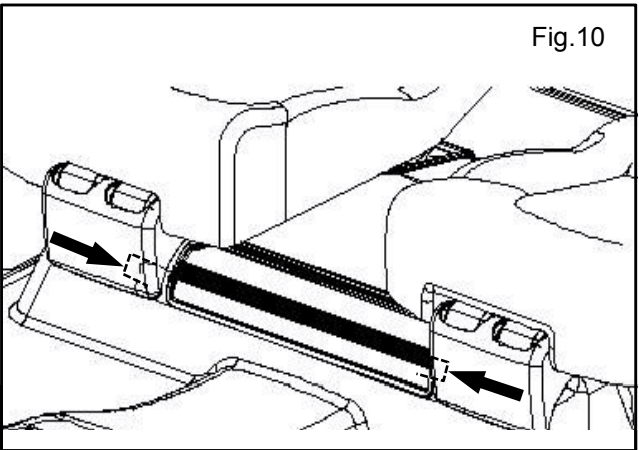


- 8) Tuck floor carpet back underneath side trim and carpet seam. Ensure that all of forward section of floor carpet is under rear section of floor carpet before proceeding to next step.

**INSTALLATION PROCEDURE (Continued):**



- 9) Place Center Console Floor Mat into vehicle and attach both grommets to floor hooks.



- 10) Tumble the seats back into position and tuck both tabs under 2nd row seat trim.